

Fitting Instructions

Please read all the instruction carefully before fitting.

Equipment needed -

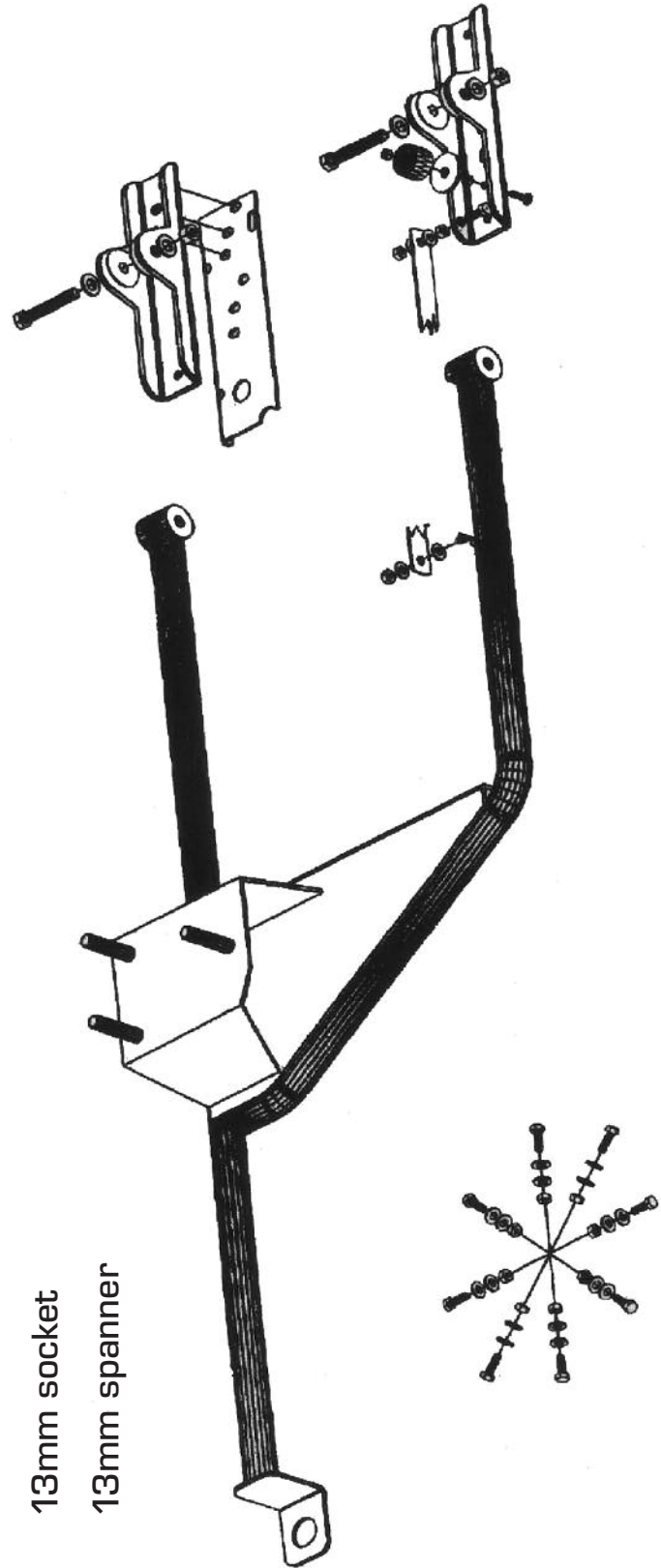
Electric drill

9mm drill bit

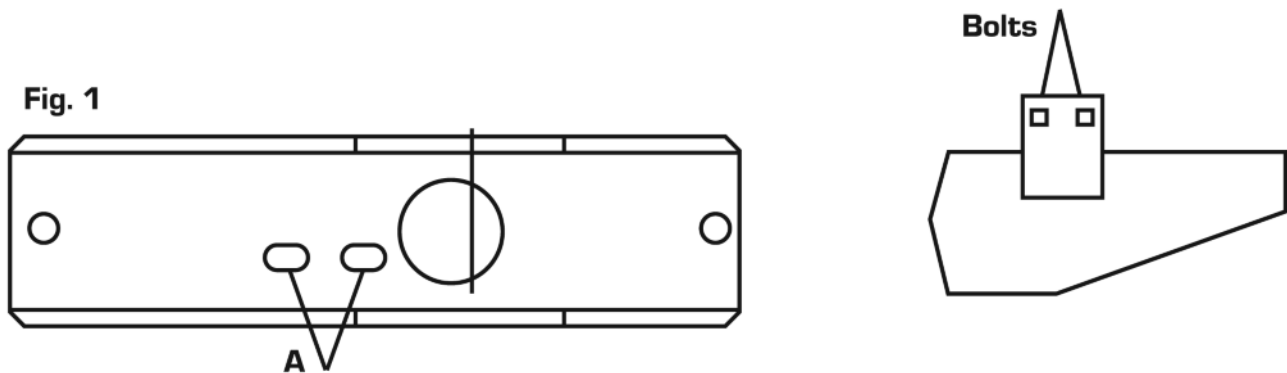
Round file

13mm socket

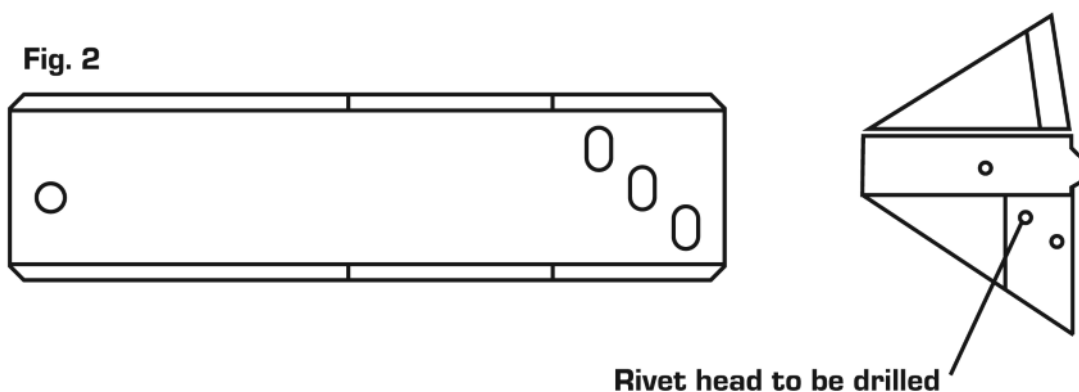
13mm spanner



In order to fit the carrier the reflector from the offside rear should be removed and remounted 10cm above its previous position. No. 1 bracket (fig 1) is mounted first. The two bolts on the offside of the vehicle that hold the back body to the chassis (fig 1) are removed. The bracket can now be mounted using these holes and the holes marked A on (fig 1) with the bolts provided.



No. 2 bracket (fig 2) is mounted approximately 47.7cm above No. 1 bracket bridging the rear wing and back body capping. On the right hand side of the wing top are a series of 3 rivet holes. The central rivet hole should approximately correspond to the central hole in the bracket. Drill out the rivet using a 9mm drill bit. It may be necessary to enlarge this hole to fit the second bracket above the first bracket. With this done and with the help of an assistant, loosely mount the main body of the carrier using the nylon discs and bolts provided. If the top of the carrier is horizontal with the back body of the vehicle the 2 further holes in No. 2 bracket can be drilled and bolted through. A plate is provided which fits inside the vehicle behind No. 2 bracket to strengthen the wing top. It may be necessary under prolonged off road usage to rivet this plate to the inside rear body. If the carriers top body is not horizontal it will be necessary to adjust the brackets until it is so. Brackets No. 1 & 2 can now be mounted. The main body of the carrier including nylon disc bushes can also be mounted keeping the top bar of the wheel carrier parallel with the capping of the vehicle. The bracket on the end of the carrier can be adjusted to pick up on the left hand tailgate pin.



Every effort has been made to make these instructions as simple as possible, however if for any reason you have difficulties please do not hesitate to contact us.